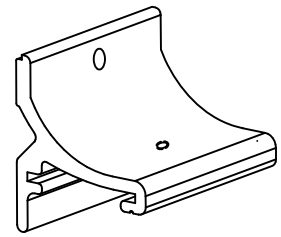




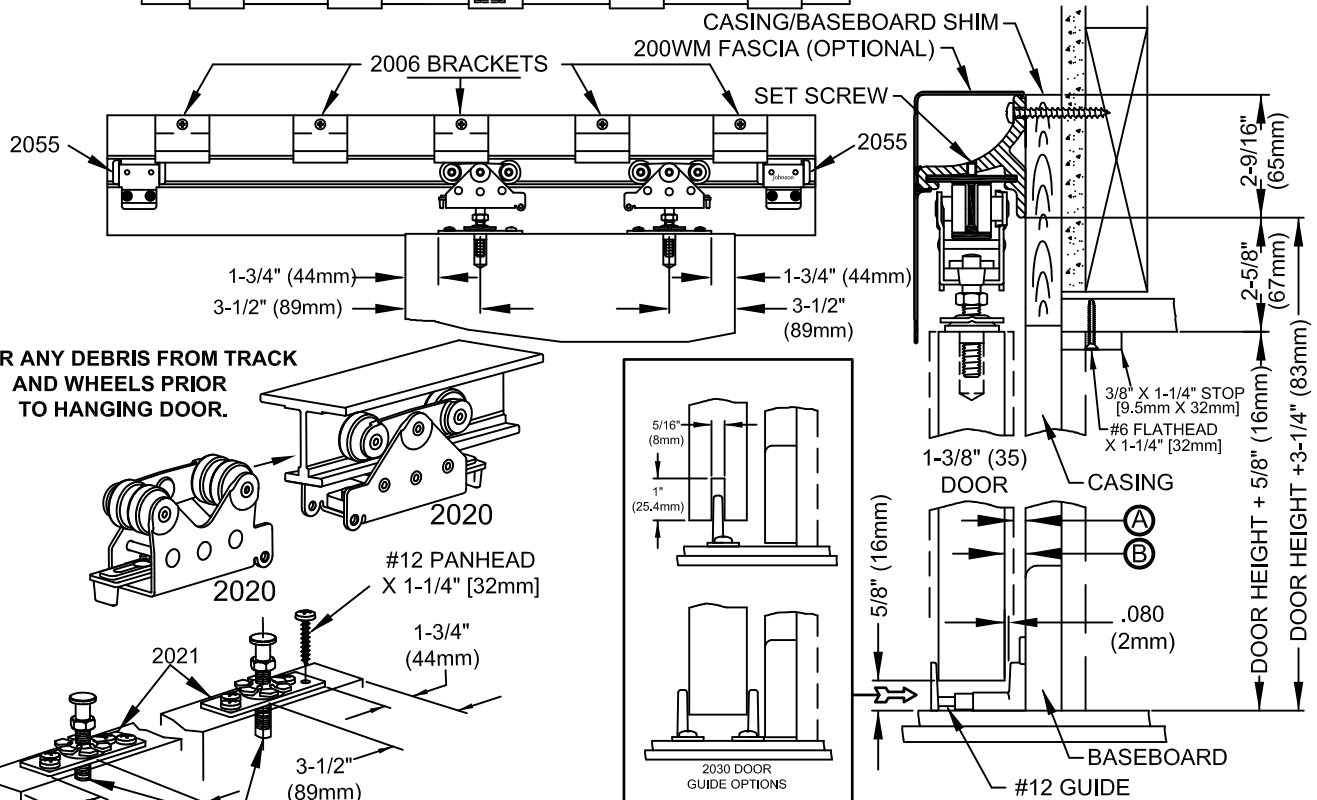
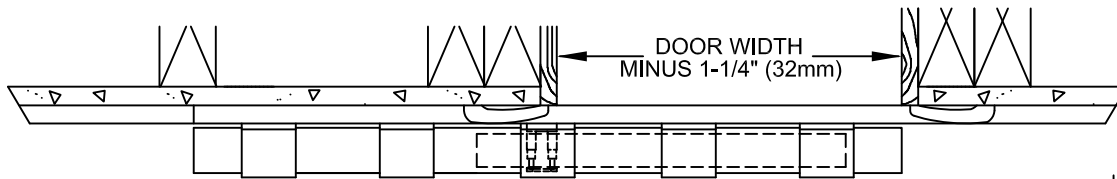
INSTRUCTIONS

200 WALL MOUNT

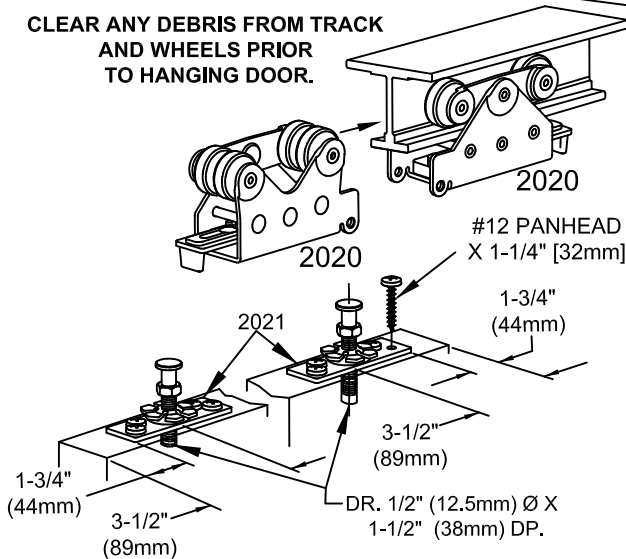


MINIMUM DOOR THICKNESS 1-1/8" (29mm)
MAXIMUM DOOR WEIGHT 400 lbs. (182kg.)

- Prepare opening to dimensions shown (or if existing, size door to fit).
- Slide 2006 Wall Mount Brackets onto track and secure with set screws. Adjust brackets to stud locations or where a solid anchor is assured. **Note: Brackets that are closest to ends must be within 8" (203mm) of track edge.**
- Horizontal location of track is not critical and is governed by trim thickness, however, **Track must be level** or door will not stay in position. Fasten brackets 2-3/8" (60mm) above header.
- Disassemble #12 Guide and fasten base to jamb at floor.
- Insert 2020 Hanger wheels into track with locking levers facing ends of track.



CLEAR ANY DEBRIS FROM TRACK AND WHEELS PRIOR TO HANGING DOOR.



- (A) GAP BETWEEN 1-3/4" (45mm) DOOR AND CASING IS 1/4" (6.4mm)
- (B) GAP BETWEEN 1-3/8" (35mm) DOOR AND CASING IS 7/16" (11mm)

- Drill a 1/2" (12.5mm) diameter hole, 1-1/2" (38mm) deep on centerline of door 3-1/2" (89mm) from each edge of door. Attach 2021 Door Plate to door with four 1-1/4" (32mm) screws.
- Insert 2021 Door Plate's pivot pin into 2020 Hanger. Lock into place with locking lever
- Reinsert front half of #12 Guide and position so door slides freely. Fasten with two 1-1/8" (29mm) screws.
- Insert 2055 Stops into each end of track. Position door over opening with desired closure and back edge of door is still in #12 Guide. Tighten 2055 Stop to limit door travel. Open door until door is flush with jamb face and tighten other 2055 Stop to limit opening travel of door.
- Attach 3/8" X 1-1/4" (9.5mm X 32mm) stop (not included) at edge of header with #6 X 1-1/4" (32mm) flat head screw.
- Adjust 2020 Hanger if necessary.



INSTRUCTIONS

www.johnsonhardware.com

OPTIONAL VALANCE / EXTENDED JAMB INSTRUCTIONS

200 WALL MOUNT VALANCE/JAMB PROFILE

