

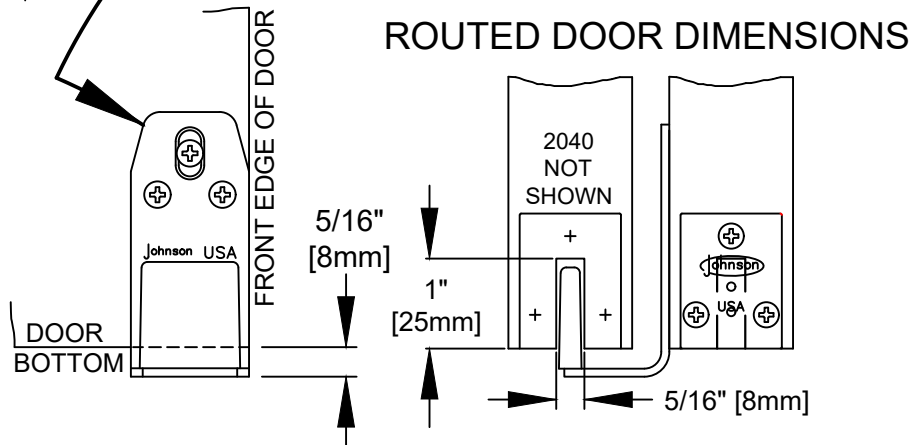
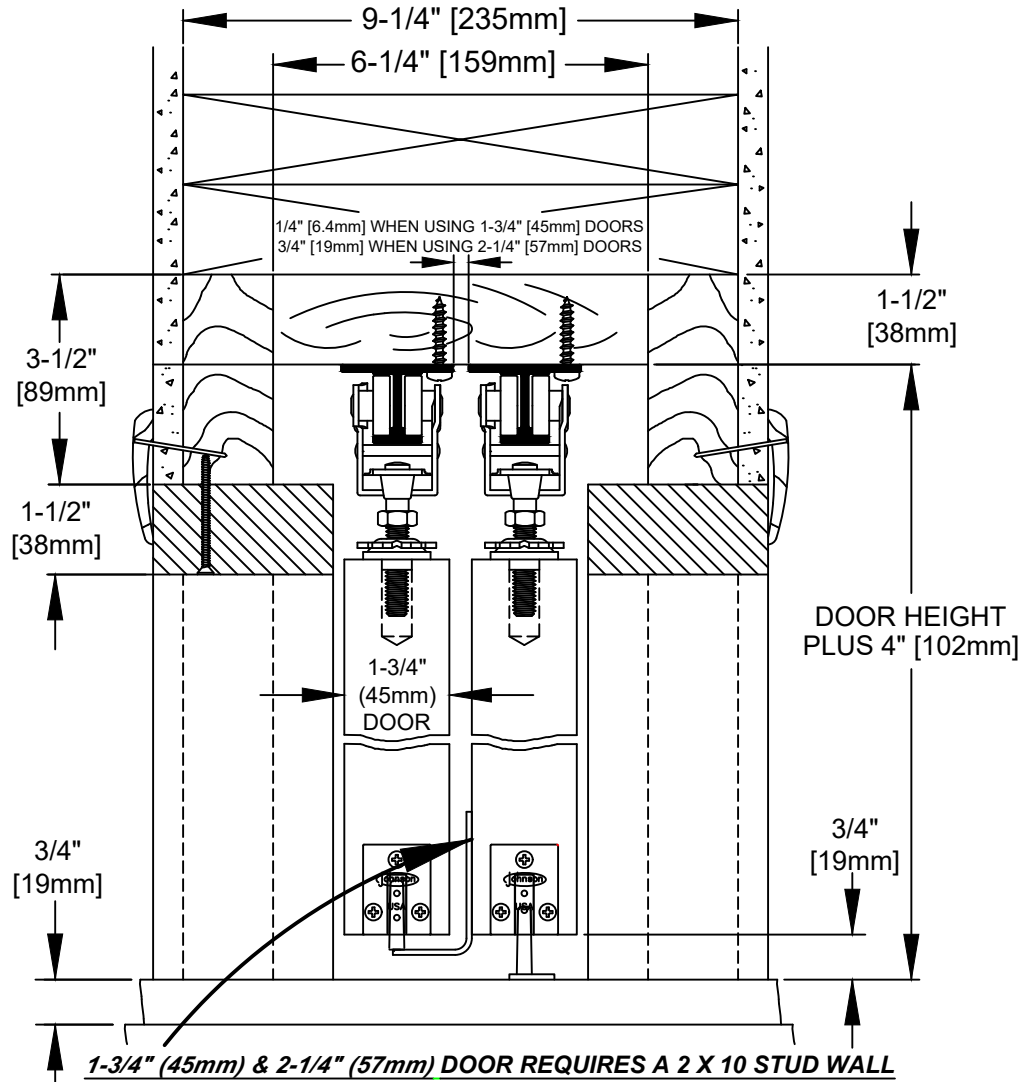


www.johnsonhardware.com

INSTRUCTIONS

BYPASS POCKET DOOR 200BP SERIES

SIDEMOUNT GUIDES
2033 FOR 1-3/4" [45mm],
2036 FOR 2-1/4" [57mm]
DOOR THICKNESS



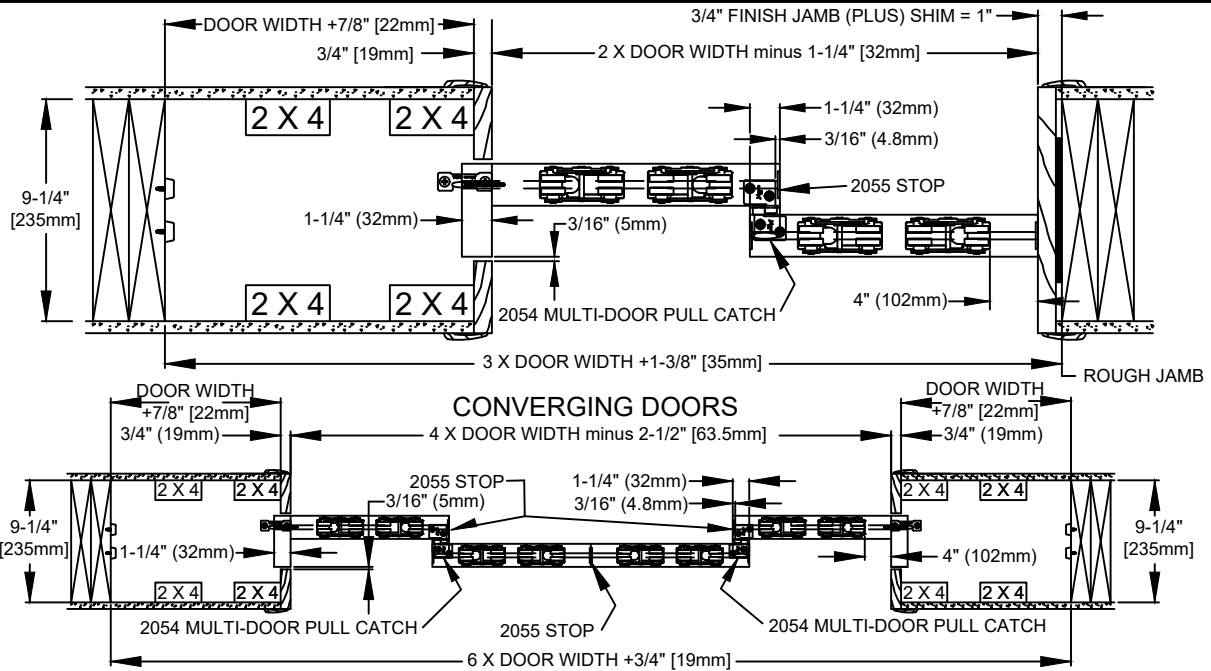


INSTRUCTIONS

BYPASS POCKET DOOR 200BP SERIES

SIDEMOUNT GUIDES
2033 FOR 1-3/4" [45mm],
2036 FOR 2-1/4" [57mm]
DOOR THICKNESS

www.johnsonhardware.com



TRACK SPACING

