

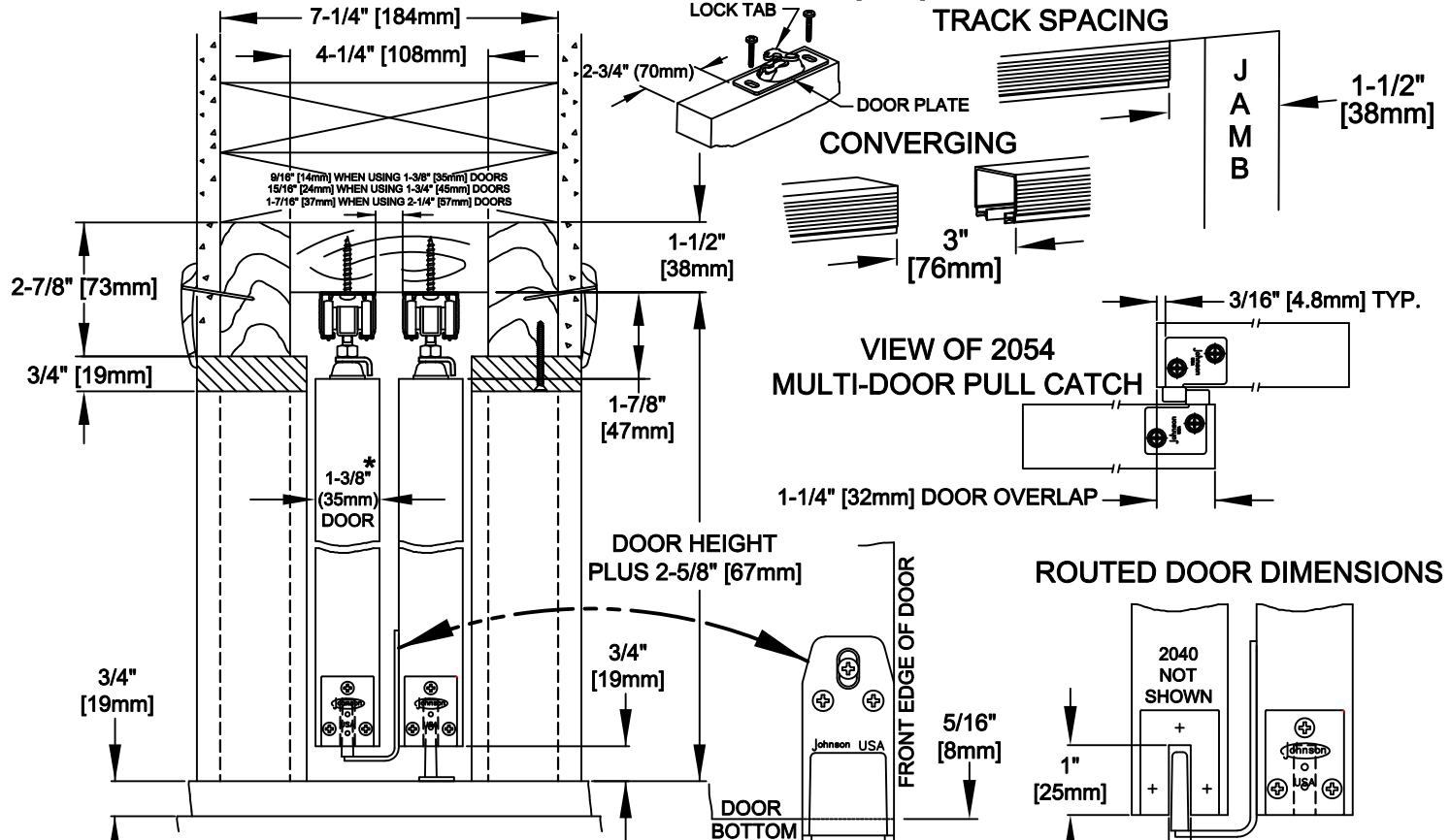
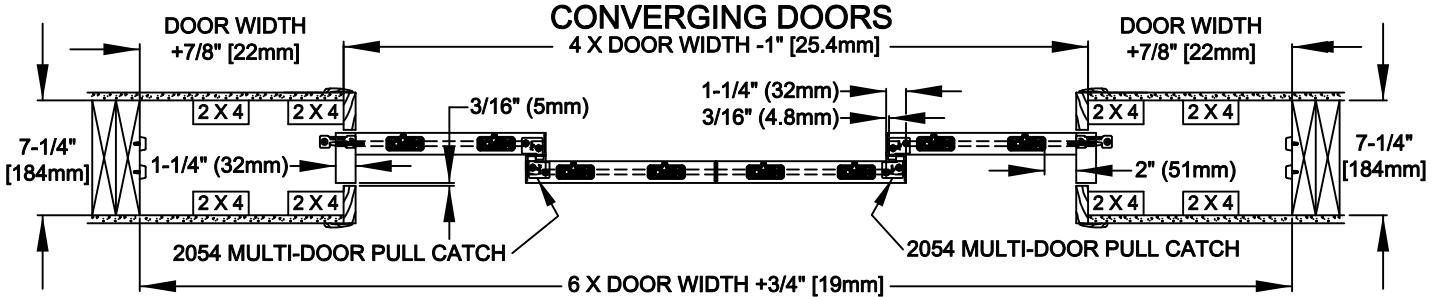
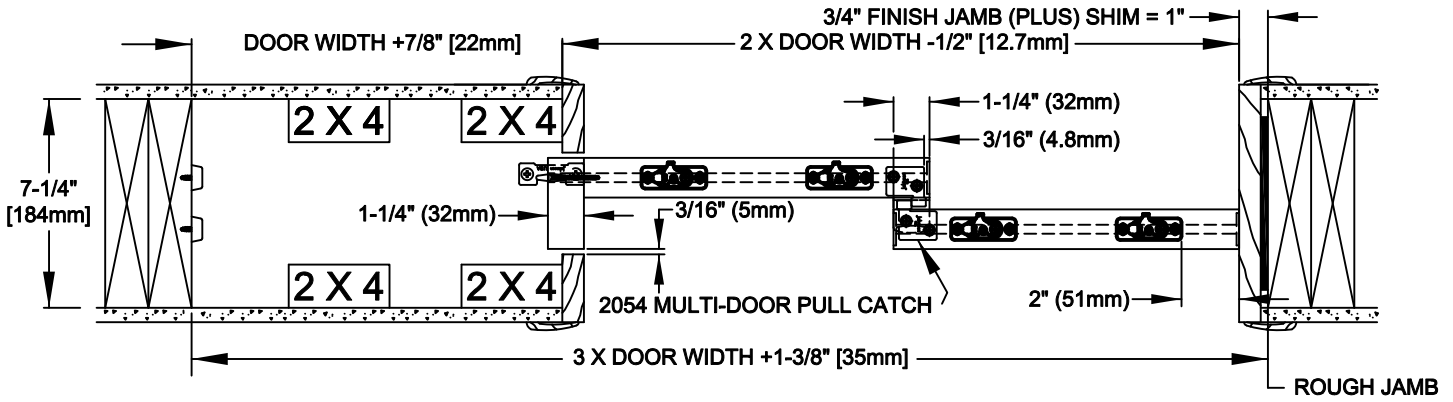


www.johnsonhardware.com

INSTRUCTIONS

BYPASS POCKET DOOR 111BP SERIES

SIDEMOUNT GUIDES
2032 FOR 1-3/8" [35mm],
2033 FOR 1-3/4" [45mm],
2036 FOR 2-1/4" [57mm]
DOOR THICKNESS



*1-3/8" (35mm) DOOR REQUIRES A 2 X 8 STUD WALL
1-3/4" (45mm) & 2-1/4" (57mm) DOOR REQUIRES A 2 X 10 STUD WALL

IN11BPPD L.E. JOHNSON PRODUCTS, INC. - 2100 STERLING AVE. - ELKHART, IN USA 46516 - (574) 293-5664 Rev 7/18

—INSTRUCTION SHEET IS SUBJECT TO CHANGE—